

type number: **MDS_S**
MDS_ZM

product description: The mounting plate is used to fasten distribution boxes to the sidewalls of cable trays or ladders. Suitable for sidewalls height 50, 60, 85, 100, 110 mm.

The perforation of plate is designed for mounting boxes: KSK 80; KSK 100; KSK 125; KSK 175; 8101; 8102; 8106; 8107; 8110; 8111; 8112; 8130; 8135; 003.CS.K; 005.CS.K.

Plate is inserted on the sidewall and it fixed with bolt NSM 6X10. To protect the cables, the bolt head is inside the cable tray.

ZM surface finish mounting plate shall be used for ZM or F surface finish trays.

GMT surface finish bolts shall be used for ZM or F surface finish trays.

These items can also be ordered in a varnished version.

surface finish: S - Pre-Galvanized steel according to ČSN EN 10346, ČSN EN 10143, zinc-layer 15-27 µm

ZM - Pre-Galvanized steel with admixture of magnesium and aluminum according to ČSN EN 10346, ČSN EN 10143, protective layer 18-31 µm (replacement of hot dip galvanizing)

sales amount: á 1 pc

meets the requirements: ČSN EN 61537:02

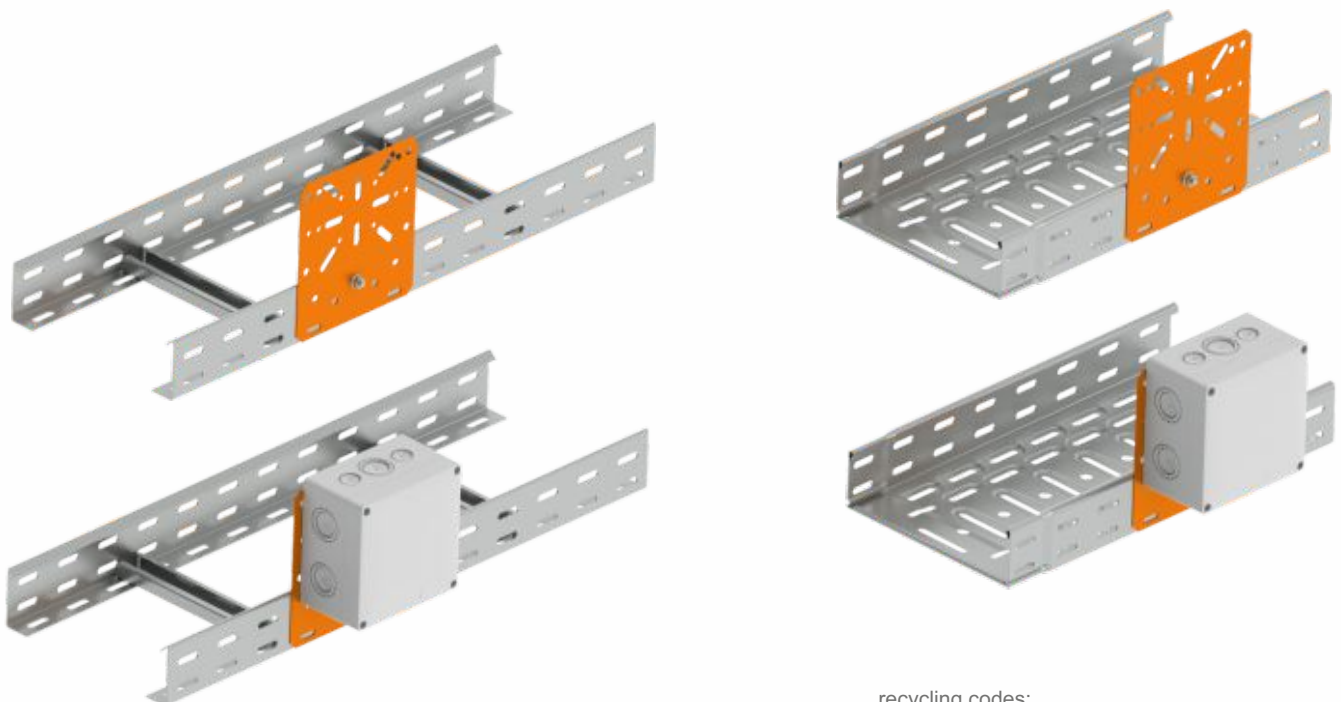
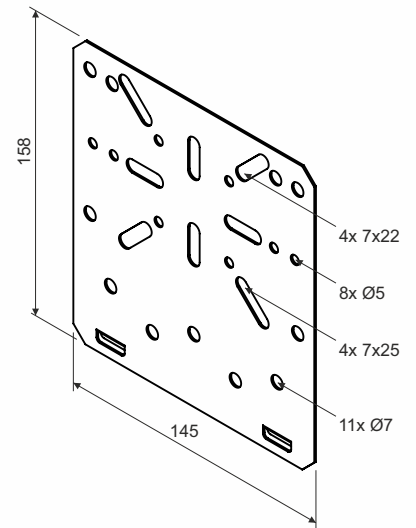
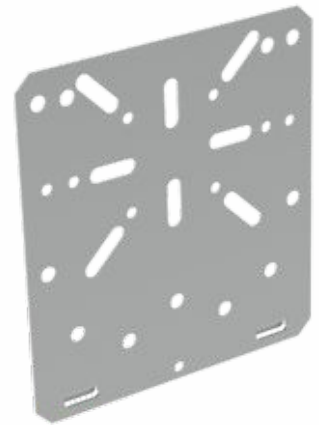
classification : ČSN 73 0895 P 90-R
DIN 4102-12 E 90
STN 92 0205 PS 90

Fire classification is depend on the specific conditions of the cable tray, detailed in the catalog Systems with maintained functionality in fire

products are approved for standard constructions

products are approved for non-standard constructions

storage: ČSN EN 60721-3-1



recycling codes:



mounting plate



cardboard